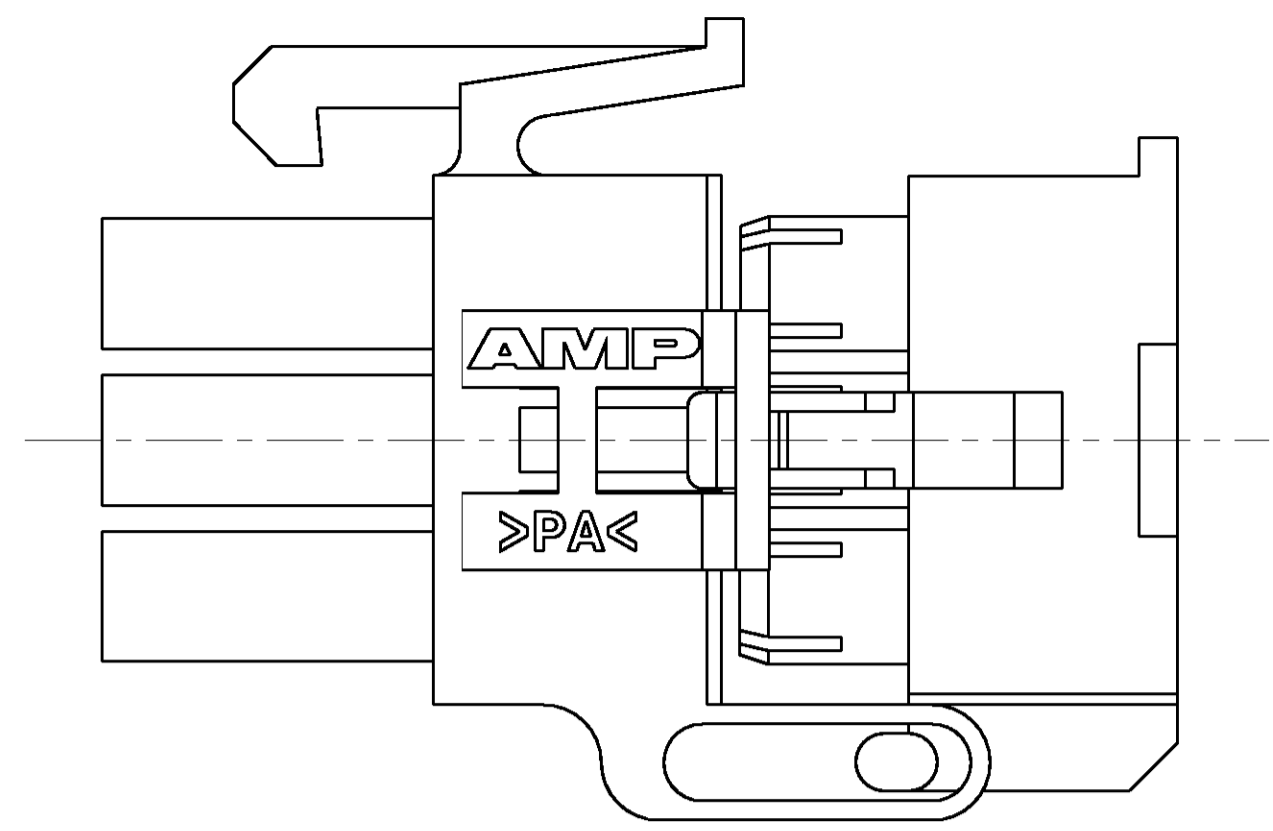
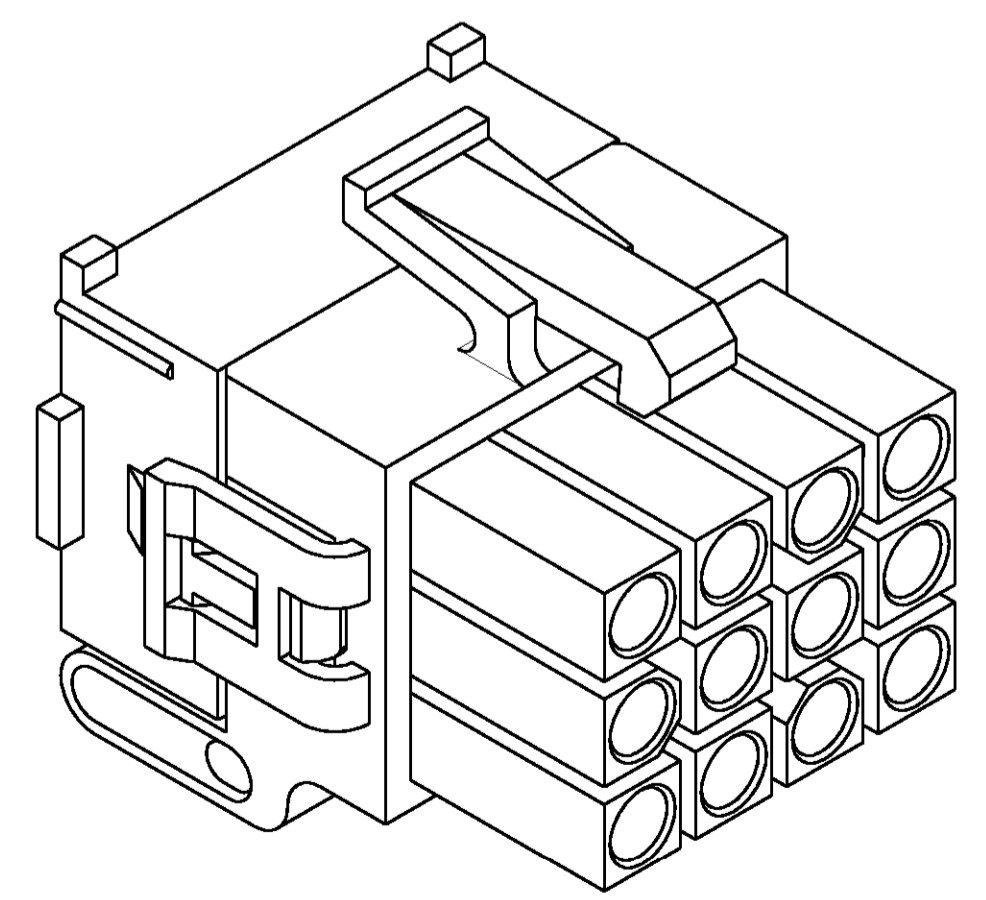
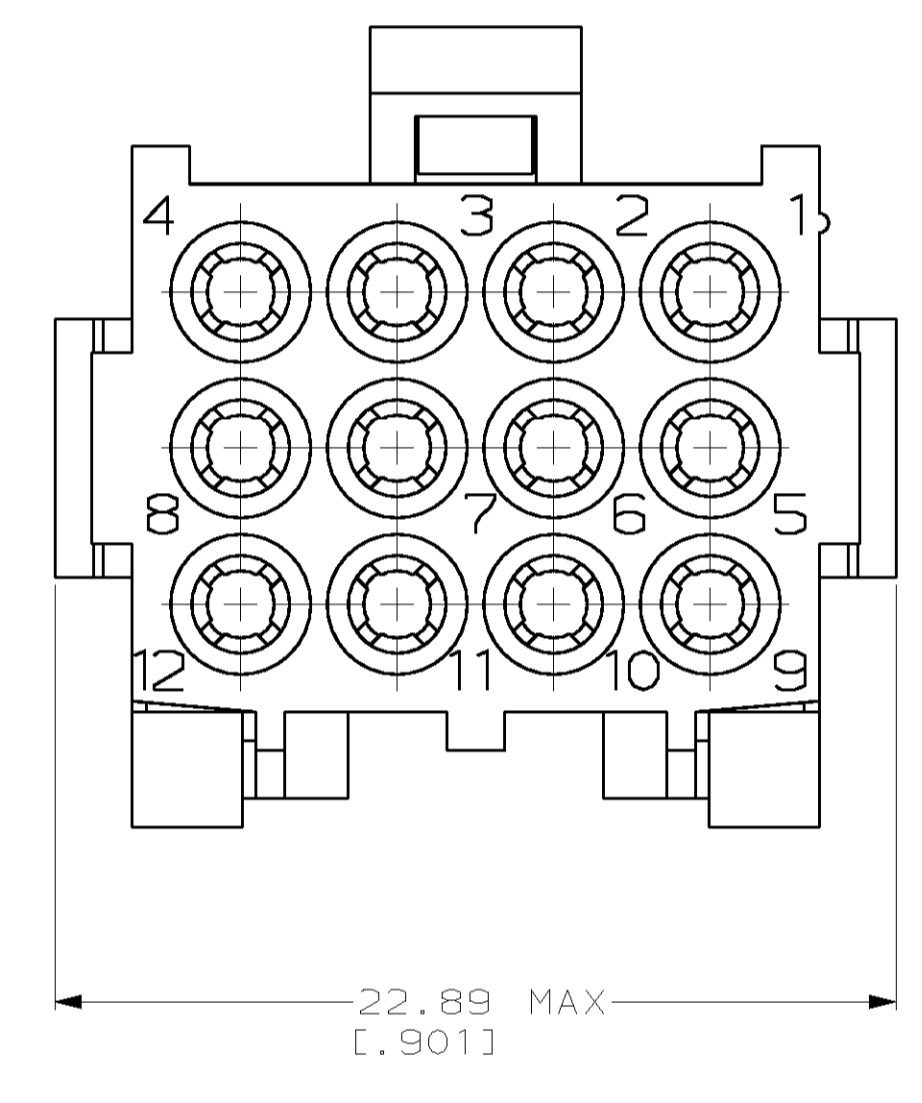
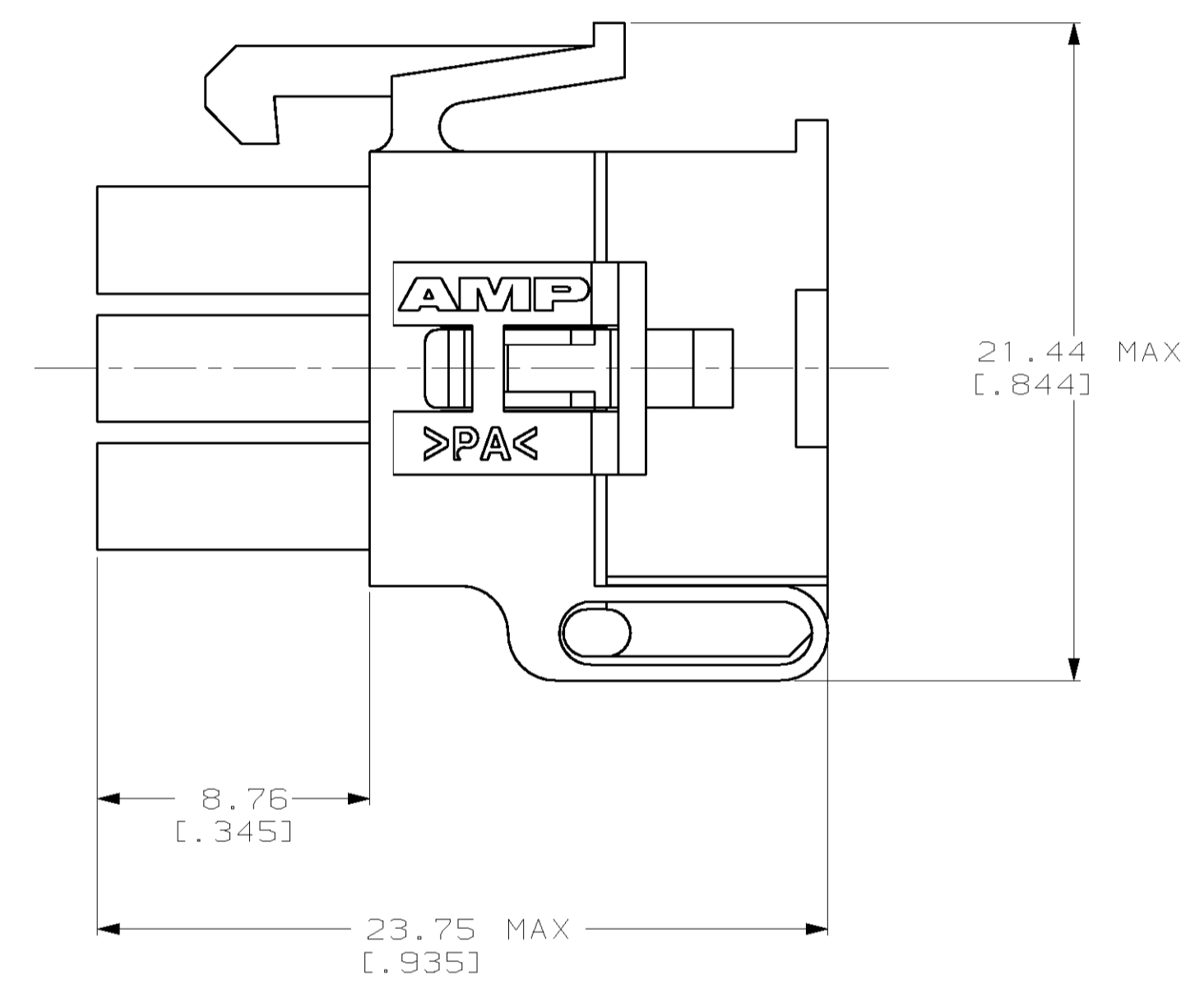
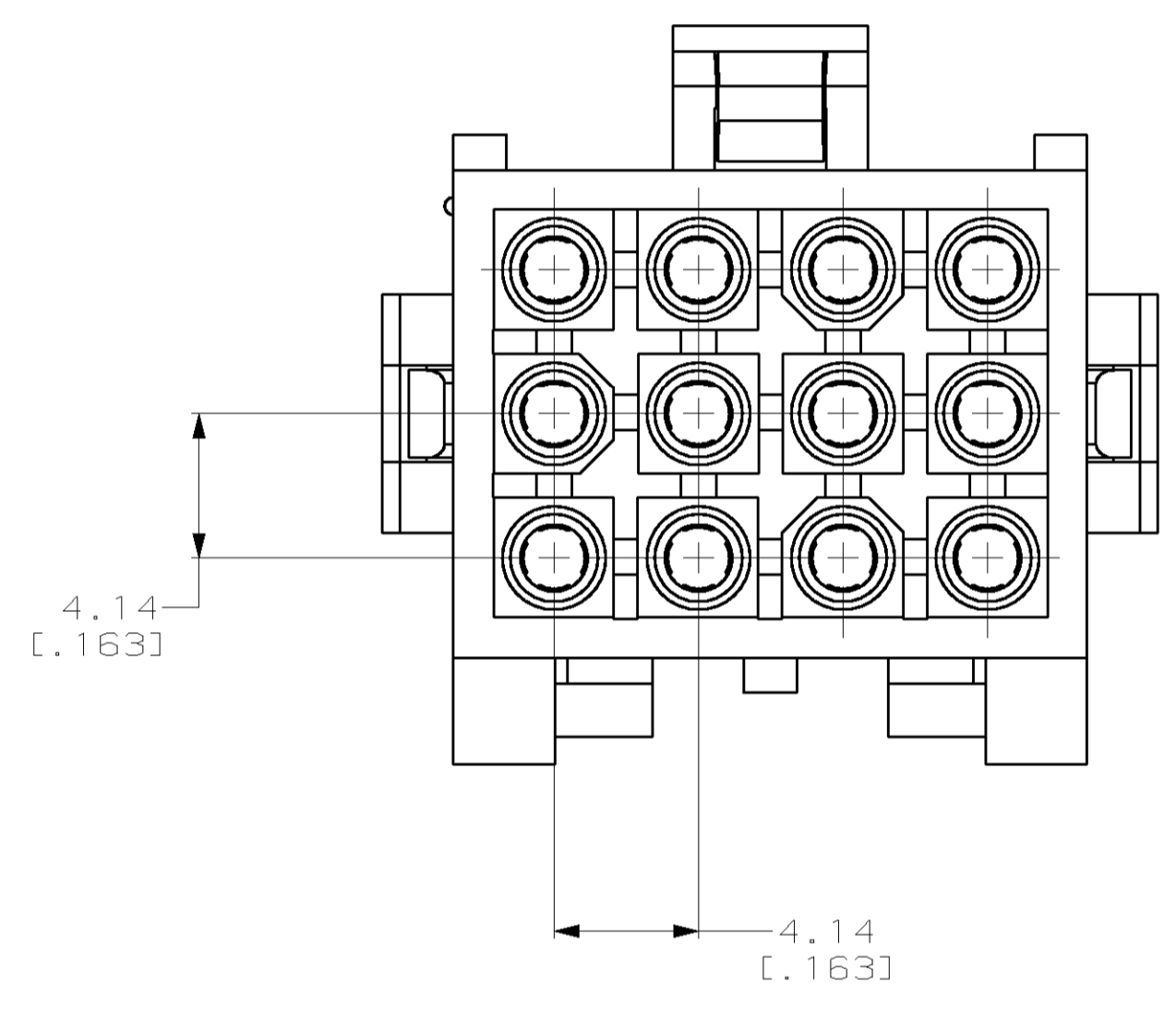


REVOLUTIONS		REVOLUTIONS			
LOC	DIST	REV	DATE	BY	CHK
CM	53	B	23-SEP-99	KW	KC
		REV PER EC 061B-0094-99			



PRE-STAGED CONDITION

1. DIMENSIONS IN BRACKETS ARE IN INCHES.



3-DIMENSIONAL MODEL
NTS

794200-1
PART NUMBER

METRIC

THIS DRAWING IS A CONTROLLED DOCUMENT.		DWN K. WHITAKER 5-15-97	AMP AMP Incorporated Harrisburg, PA 17105-3608
		CHK R. SWING 5-15-97	
DIMENSIONS:		APVD S. ORSTAD 5-15-97	NAME PLUG, 12 CIRCUIT, MATRIX, MINI UNIVERSAL MATE-N-LOK™ 2
TOLERANCES UNLESS OTHERWISE SPECIFIED:		PRODUCT SPEC	APPLICATION SPEC
mm		0 PLC ±	SIZE CAGE CODE DRAWING NO
1 PLC ±		2 PLC ±0.13 [0.005]	A1 00779 C-794200
3 PLC ±		4 PLC ±	RESTRICTED TO
ANGLES		FINISH	SCALE 5:1 SHEET 1 OF 1 REV B
MATERIAL NYLON, UL 94V-0, NATURAL		WEIGHT	CUSTOMER DRAWING